



## WORK WITH US

*working together...*



## ABOUT US

### 关于我们

上海恩牧必精密轴承制造有限公司专业生产高精度、长寿命、低噪音、孔径范围（2-20）mm特微型精密轴承。

企业采用自动化流水线生产，引进国内外先进的自动数控高精度磨床，自动超精机和成套自动化装备设备。公司已通过ISO9001国际质量体系认证，ISO/TS16949国际汽车工业标准体系认证并取得发明专利和实用新型发明专利数项，长期坚持“精益求精，不断完善，质量立厂，顾客至上”的质量方针。我们相信“恩牧必”的未来前程似锦，星光将更加灿烂，辉煌！

**SXD BEARING**  
**Miniature Bearing Supplier**

WE ARE READY TO BE YOUR  
BUSINESS SOLUTIONS.

## Contact us

### 联系我们

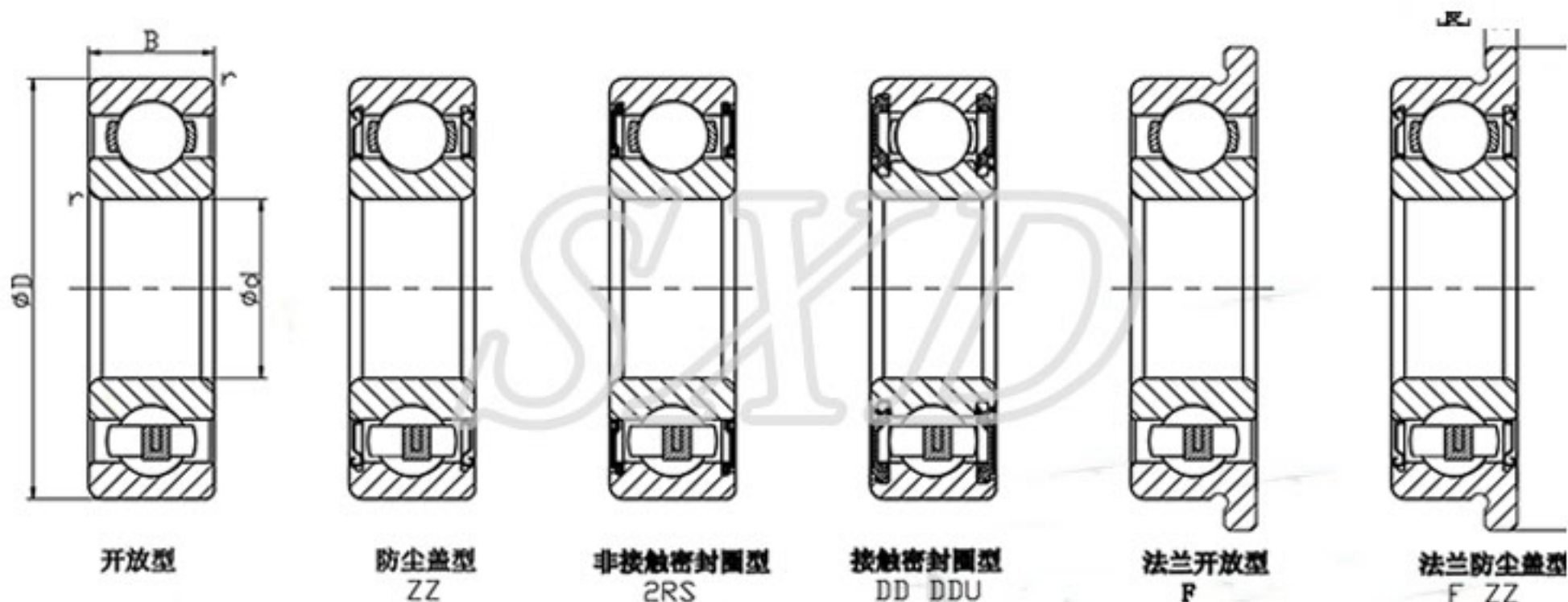
Shanghai SXD Precision Bearing Production Co.,Ltd.  
Add:No.8 Hangye Road, Hangtoun Town, Pudong District, Shanghai,  
China P.C: 201316

Tel:(0086)21-58228603  
Fax:(0086)21-58228603-682  
Email: [sxd@xindong-bearing.com.cn](mailto:sxd@xindong-bearing.com.cn)  
Visit Us: [www.nmb-bearing.com.cn](http://www.nmb-bearing.com.cn)  
[www.xindong-bearing.com.cn](http://www.xindong-bearing.com.cn)



SXD Precision Bearing Manufacturing Co., Ltd. focuses on offering with bore 2-20mm high precision, low noise and long service life bearings. Our company is designed to build an automated production line with cutting-edge CNC high-precision grinding machine, automated super-finishing machine and complete set of equipment at home and abroad. At SXD ,we relies on the quality policy of "Striving for the best, Consistent Improvement,Quality as the Foundation,and the Customer is King",which help us obtain ISO9001, ISO/TS16949 certificate and number of invention patents, the utility model patents. We are confident that"SXD"future will be more and more bright. Great success is waiting for us!

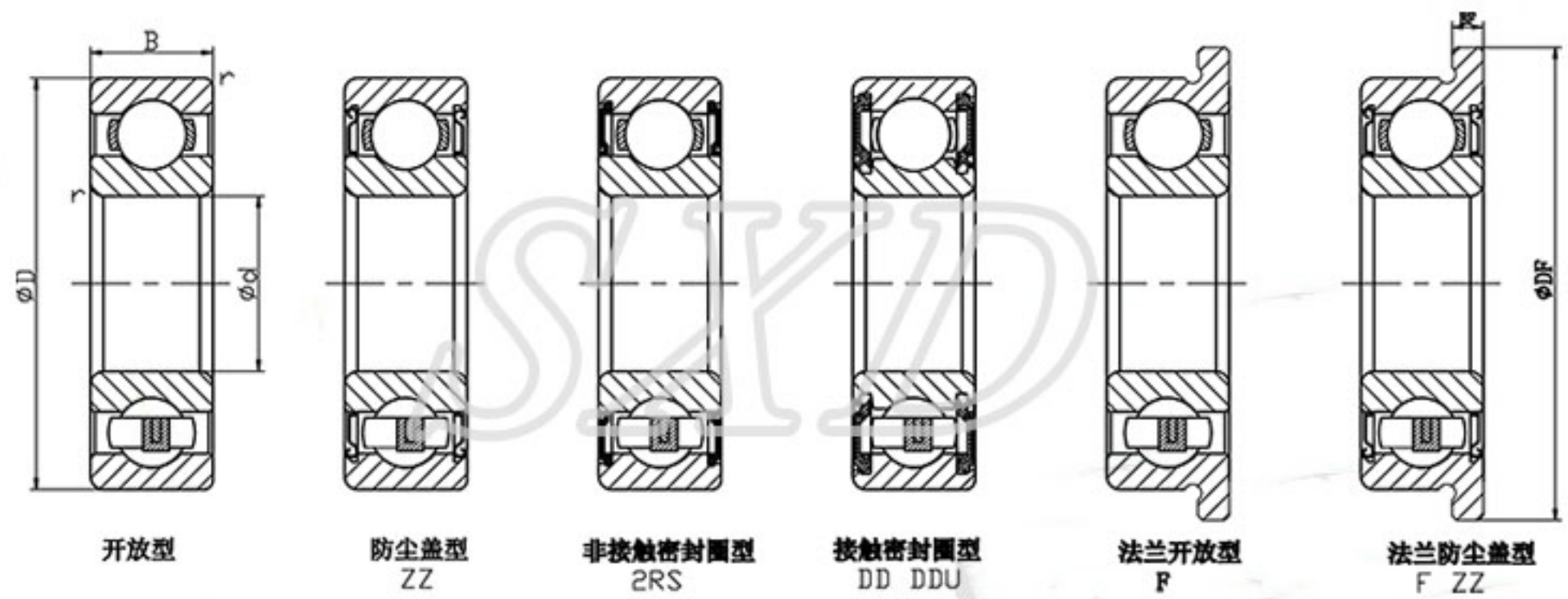
品牌 ( Logo )	SXD Bearing	类型 ( Type )	Deep Groove Bearing
后缀 ( Seal )	ZZ/2RS/2RU/TTS		
性能 ( Performance )	Low Noisy, high speed, long service life ( 低噪音、高转速、长寿命等特点 )		
材质 ( material )	Gcr15/Stainless Steel/Full Ceramic/Hybrid Ceramic ( 轴承钢、不锈钢、全陶瓷、混陶 )		



型号 Bearing Type	主要尺寸 (Bearings Size-MM)		
	内径 (d)	外径 (D)	宽度 (B)
> 691X	1.5	5	2.6
> 601X		6	3
> 682	2	5	2.3
> MR52		5	2.5
> 692		6	3
> MR62		6	2.5
> MR72		7	3
> 602		7	3.5

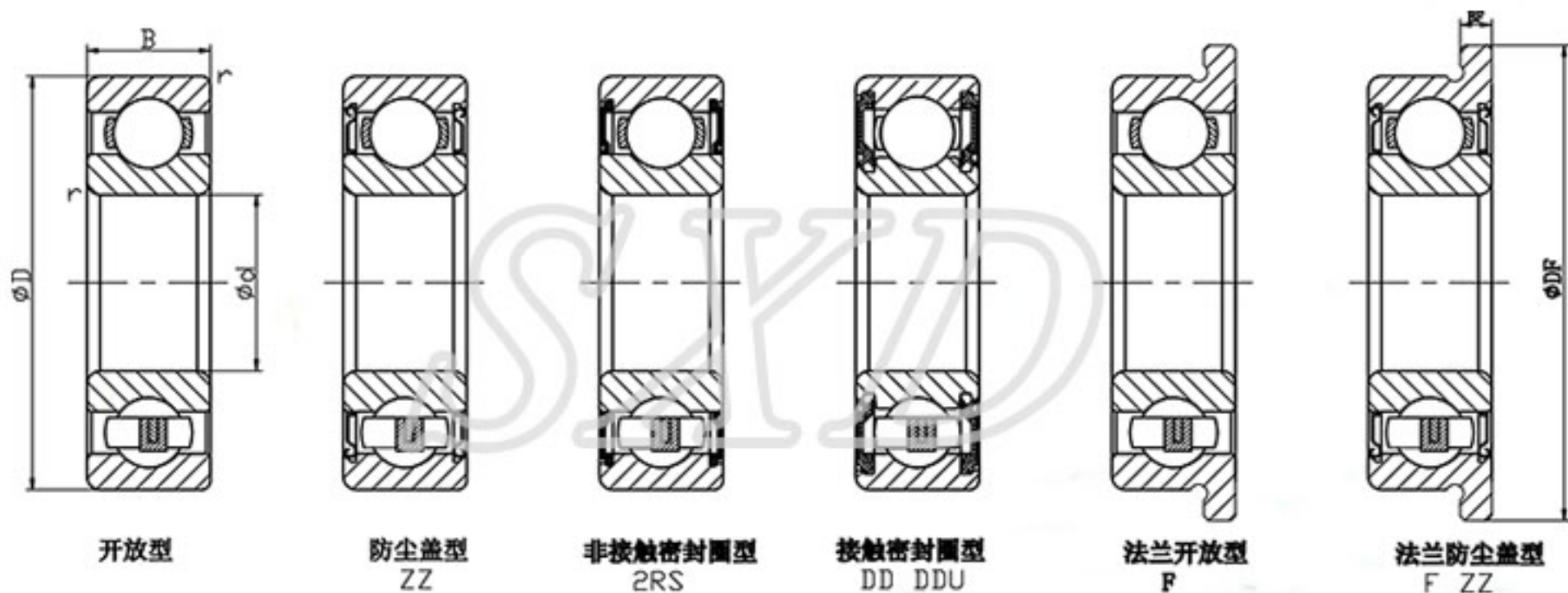


品牌 ( Logo )	SXD Bearing	类型 ( Type )	Deep Groove Bearing
后缀 ( Seal )	ZZ/2RS/2RU/TTS		
性能 ( Performance )	Low Noisy, high speed, long service life ( 低噪音、高转速、长寿命等特点 )		
材质 ( material )	Gcr15/Stainless Steel/Full Ceramic/Hybrid Ceramic ( 轴承钢、不锈钢、全陶瓷、混陶 )		



型号 Bearing Type	主要尺寸 (Bearings Size-MM)		
	内径 (d)	外径 (D)	宽度 (B)
> 682X	2.5	6	2.6
> 692X		7	3.5
> MR82X		8	2.3
> 602X		8	2.5
> MR63	3	6	4
> 683		7	2.5
> MR83		8	3
> 693		8	3
> MR93		9	4
> 603		9	4
> 623		10	5
> 633	13	5	

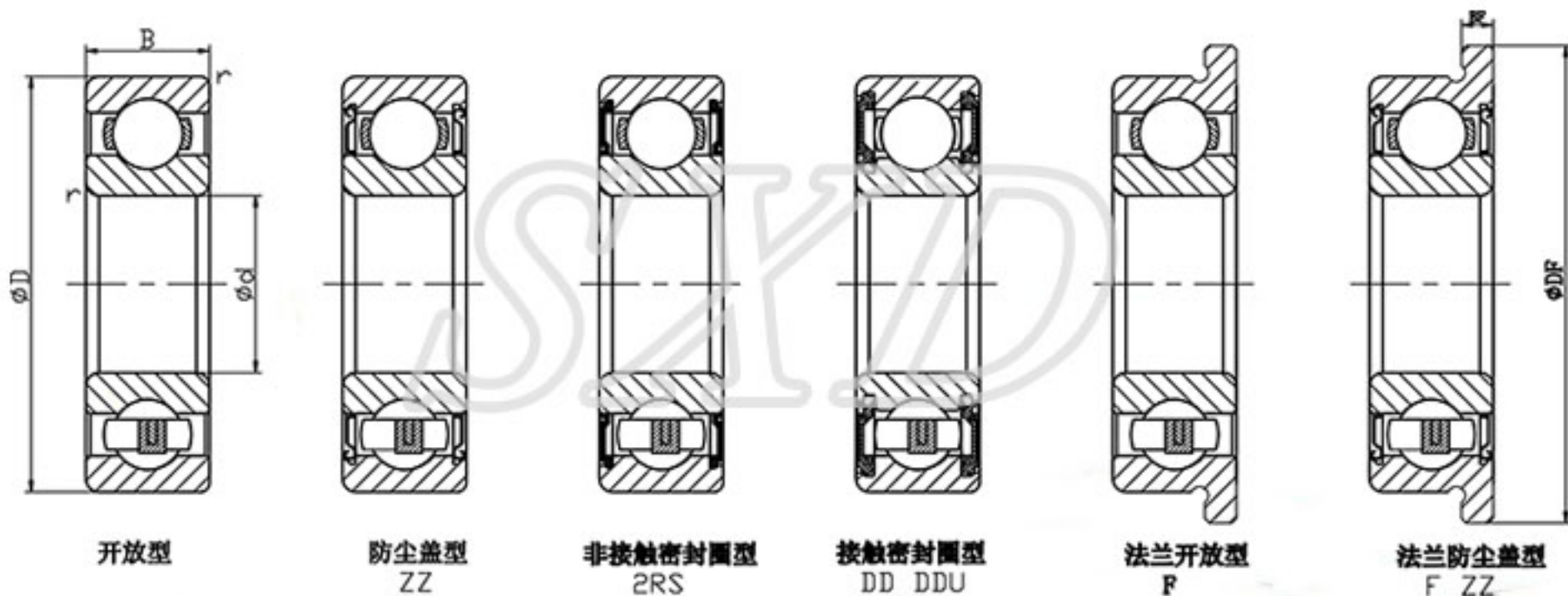
品牌 ( Logo )	SXD Bearing	类型 ( Type )	Deep Groove Bearing
后缀 ( Seal )	ZZ/2RS/2RU/TTS		
性能 ( Performance )	Low Noisy, high speed, long service life ( 低噪音、高转速、长寿命等特点 )		
材质 ( material )	Gcr15/Stainless Steel/Full Ceramic/Hybrid Ceramic ( 轴承钢、不锈钢、全陶瓷、混陶 )		



型号 Bearing Type	主要尺寸 (Bearings Size-MM)		
	内径 (d)	外径 (D)	宽度 (B)
> MR74	4	7	2.5
> MR84		8	3
> 684		9	4
> MR104		10	4
> 694		11	4
> 604		12	4
> 624		13	5
> 634		16	5

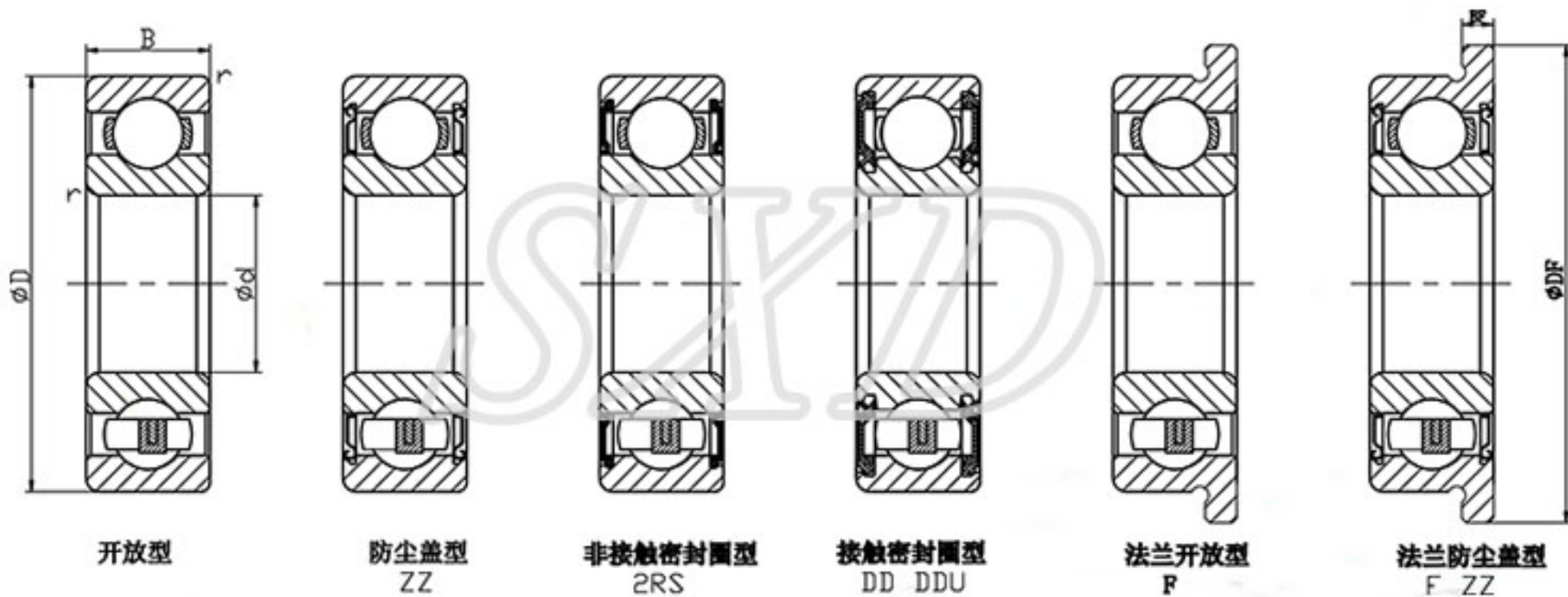


品牌 ( Logo )	SXD Bearing	类型 ( Type )	Deep Groove Bearing
后缀 ( Seal )	ZZ/2RS/2RU/TTS		
性能 ( Performance )	Low Noisy, high speed, long service life ( 低噪音、高转速、长寿命等特点 )		
材质 ( material )	Gcr15/Stainless Steel/Full Ceramic/Hybrid Ceramic ( 轴承钢、不锈钢、全陶瓷、混陶 )		



型号 Bearing Type	主要尺寸 (Bearings Size-MM)		
	内径 (d)	外径 (D)	宽度 (B)
> MR85	5	8	2.5
> MR95		9	3
> MR105		10	4
> 685		11	5
> 695		13	4
> 605		14	5
> 625		16	5
> 635		19	6

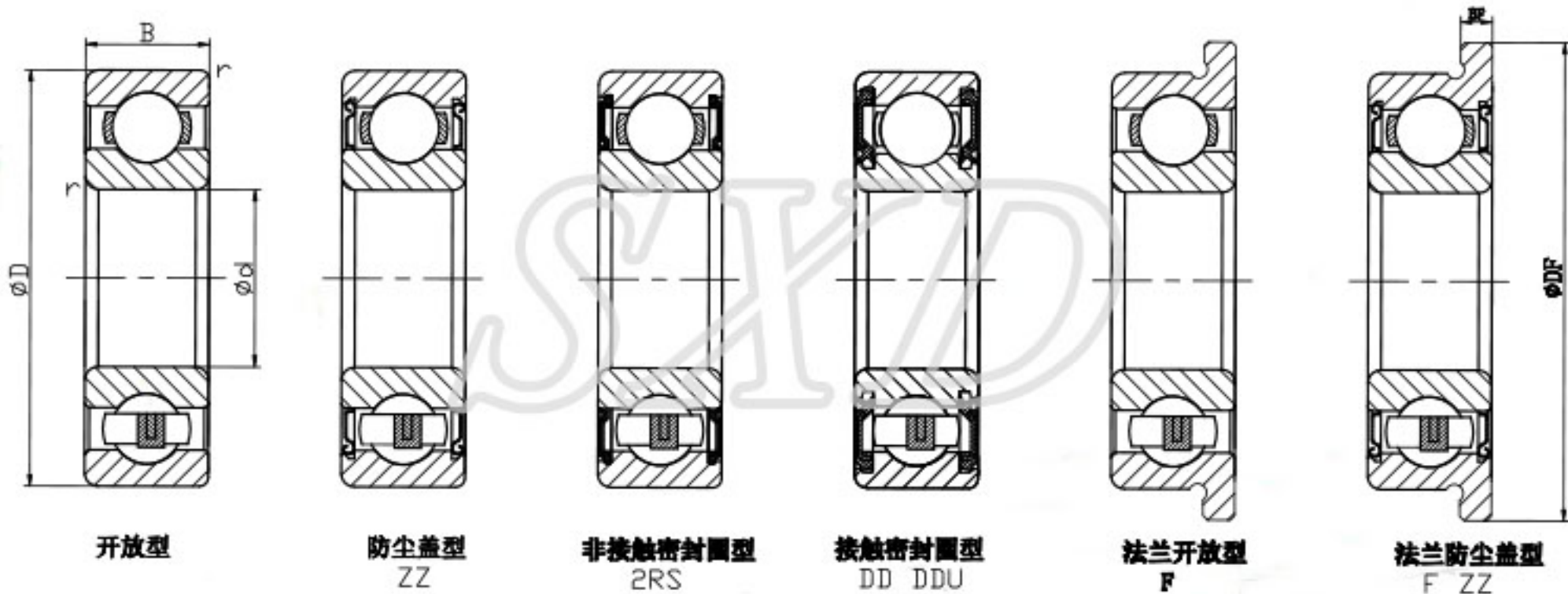
品牌 ( Logo )	SXD Bearing	类型 ( Type )	Deep Groove Bearing
后缀 ( Seal )	ZZ/2RS/2RU/TTS		
性能 ( Performance )	Low Noisy, high speed, long service life ( 低噪音、高转速、长寿命等特点 )		
材质 ( material )	Gcr15/Stainless Steel/Full Ceramic/Hybrid Ceramic ( 轴承钢、不锈钢、全陶瓷、混陶 )		



型号 Bearing Type	主要尺寸 (Bearings Size-MM)		
	内径 (d)	外径 (D)	宽度 (B)
> MR106	6	10	3
> MR126		12	4
> 686		13	5
> 696		15	5
> 606		17	6
> 626		19	6
> 636		22	7

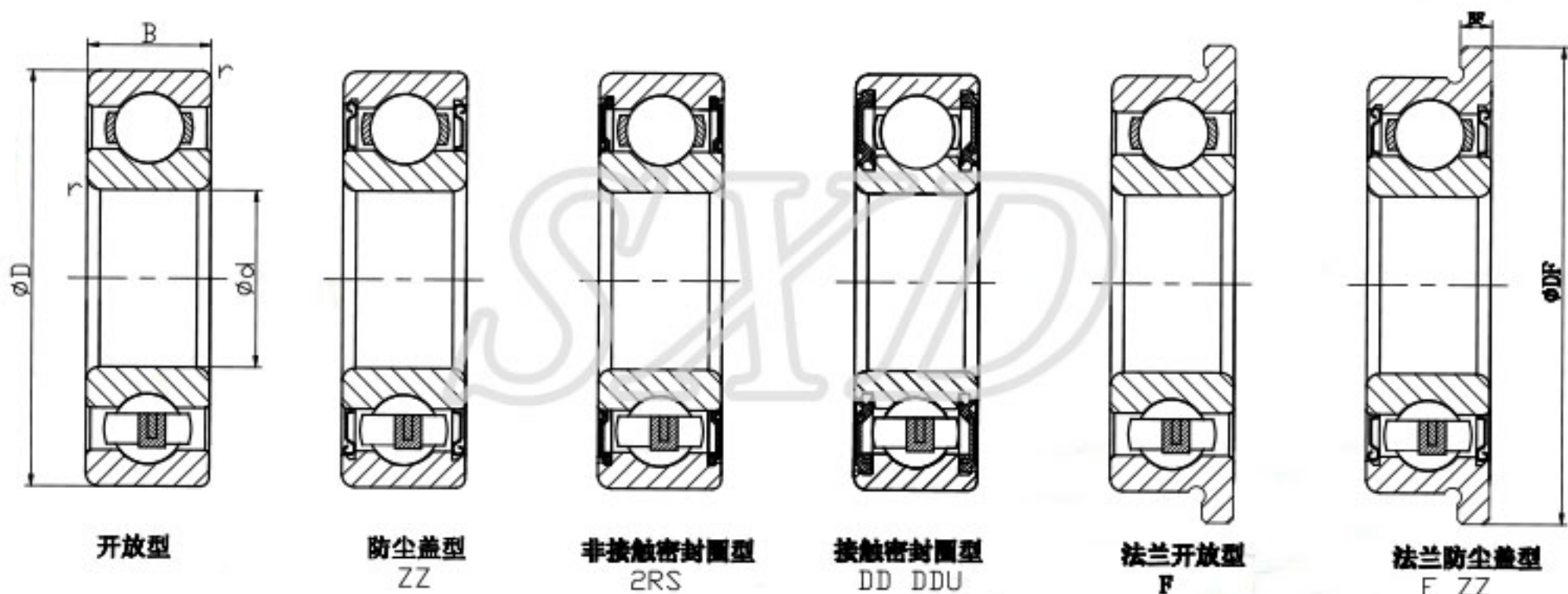


品牌 ( Logo )	SXD Bearing	类型 ( Type )	Deep Groove Bearing
后缀 ( Seal )	ZZ/2RS/2RU/TTS		
性能 ( Performance )	Low Noisy, high speed, long service life ( 低噪音、高转速、长寿命等特点 )		
材质 ( material )	Gcr15/Stainless Steel/Full Ceramic/Hybrid Ceramic ( 轴承钢、不锈钢、全陶瓷、混陶 )		



型号 Bearing Type	主要尺寸 (Bearings Size-MM)		
	内径 (d)	外径 (D)	宽度 (B)
> MR117	7	11	3
> MR137		13	4
> 687		14	5
> 697		17	5
> 607		19	6
> 627		22	7
> 637		26	9

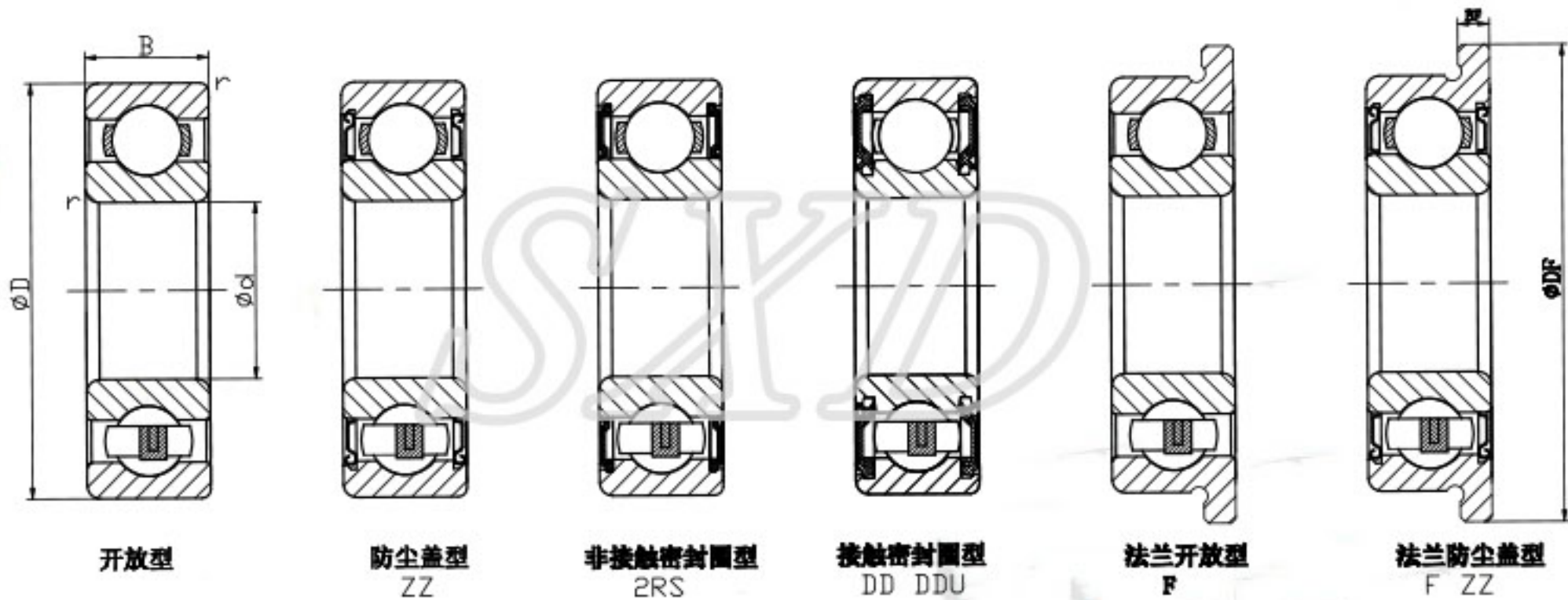
品牌 ( Logo )	SXD Bearing	类型 ( Type )	Deep Groove Bearing
后缀 ( Seal )	ZZ/2RS/2RU/TTS		
性能 ( Performance )	Low Noisy, high speed, long service life ( 低噪音、高转速、长寿命等特点 )		
材质 ( material )	Gcr15/Stainless Steel/Full Ceramic/Hybrid Ceramic ( 轴承钢、不锈钢、全陶瓷、混陶 )		



型号 Bearing Type	主要尺寸 (Bearings Size-MM)		
	内径 (d)	外径 (D)	宽度 (B)
> MR128	8	12	3.5
> MR148		14	4
> 688		16	5
> 698		19	6
> 608		22	7
> 628		24	8
> 638		28	9

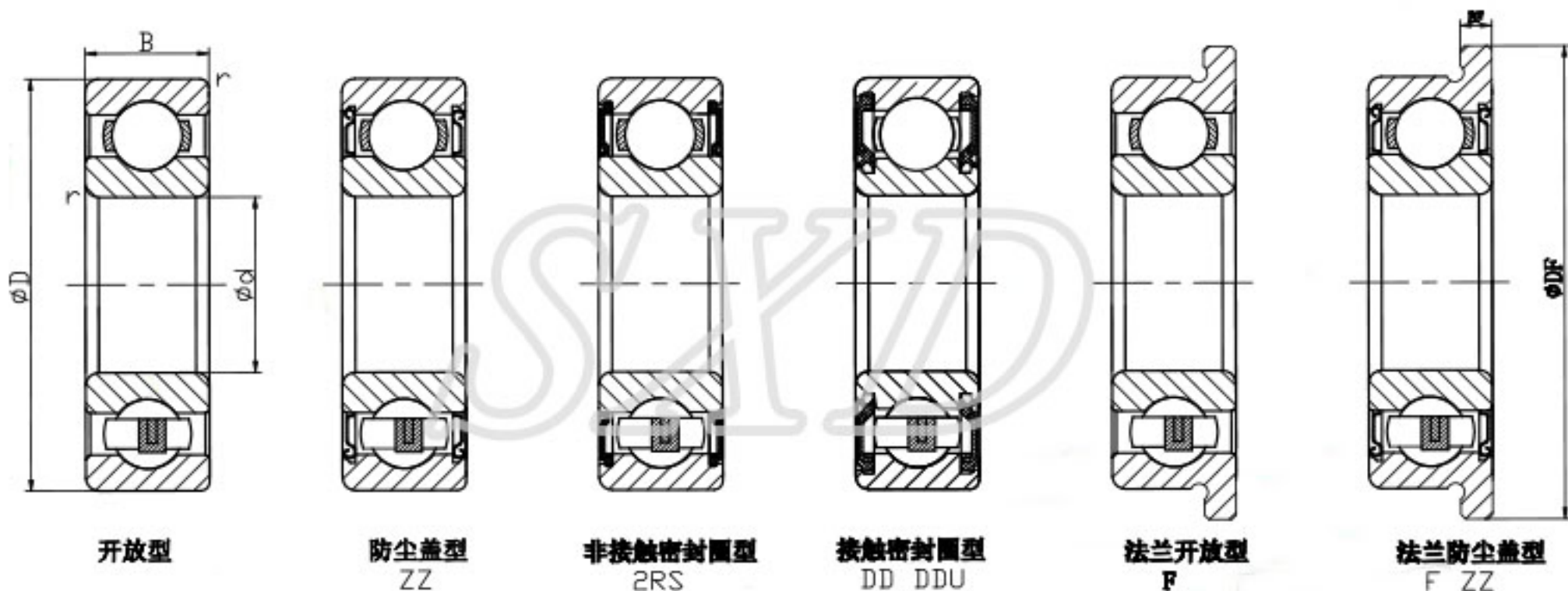


品牌 ( Logo )	SXD Bearing	类型 ( Type )	Deep Groove Bearing
后缀 ( Seal )	ZZ/2RS/2RU/TTS		
性能 ( Performance )	Low Noisy, high speed, long service life ( 低噪音、高转速、长寿命等特点 )		
材质 ( material )	Gcr15/Stainless Steel/Full Ceramic/Hybrid Ceramic ( 轴承钢、不锈钢、全陶瓷、混陶 )		



型号 Bearing Type	主要尺寸 (Bearings Size-MM)		
	内径 (d)	外径 (D)	宽度 (B)
> 689	9	5	5
> 699		6	6
> 609		7	7
> 629		8	8
> 6800	10	19	7
> 6900		22	6
> 6000		26	8
> 6200		30	9
> 6300		35	11

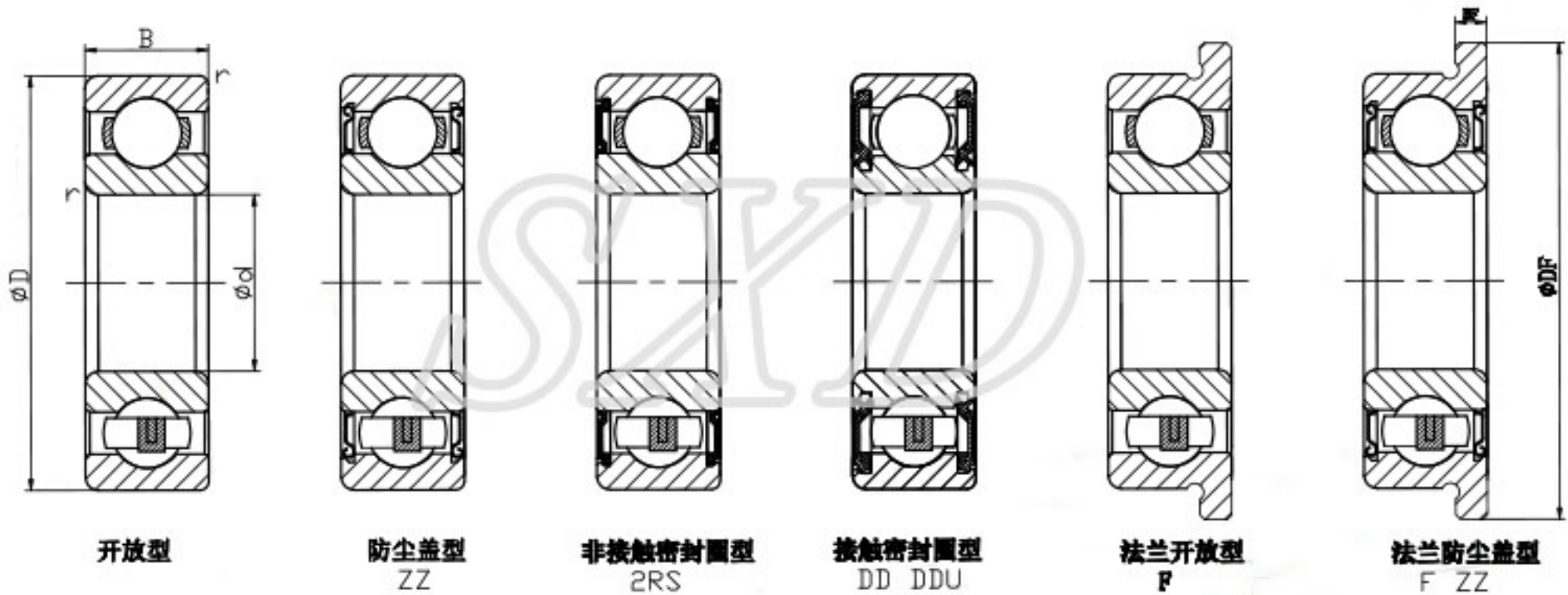
品牌 ( Logo )	SXD Bearing	类型 ( Type )	Deep Groove Bearing
后缀 ( Seal )	ZZ/2RS/2RU/TTS		
性能 ( Performance )	Low Noisy, high speed, long service life ( 低噪音、高转速、长寿命等特点 )		
材质 ( material )	Gcr15/Stainless Steel/Full Ceramic/Hybrid Ceramic ( 轴承钢、不锈钢、全陶瓷、混陶 )		



型号 Bearing Type	主要尺寸 (Bearings Size-MM)		
	内径 (d)	外径 (D)	宽度 (B)
> R133	2.38	4.762	2.38
> R1-5		7.938	3.571
> R144	3.175	6.35	2.779
> R2-5		7.938	3.571
> R2-6		9.525	3.571
> R2		9.525	3.967
> R155	3.967	3.967	3.175

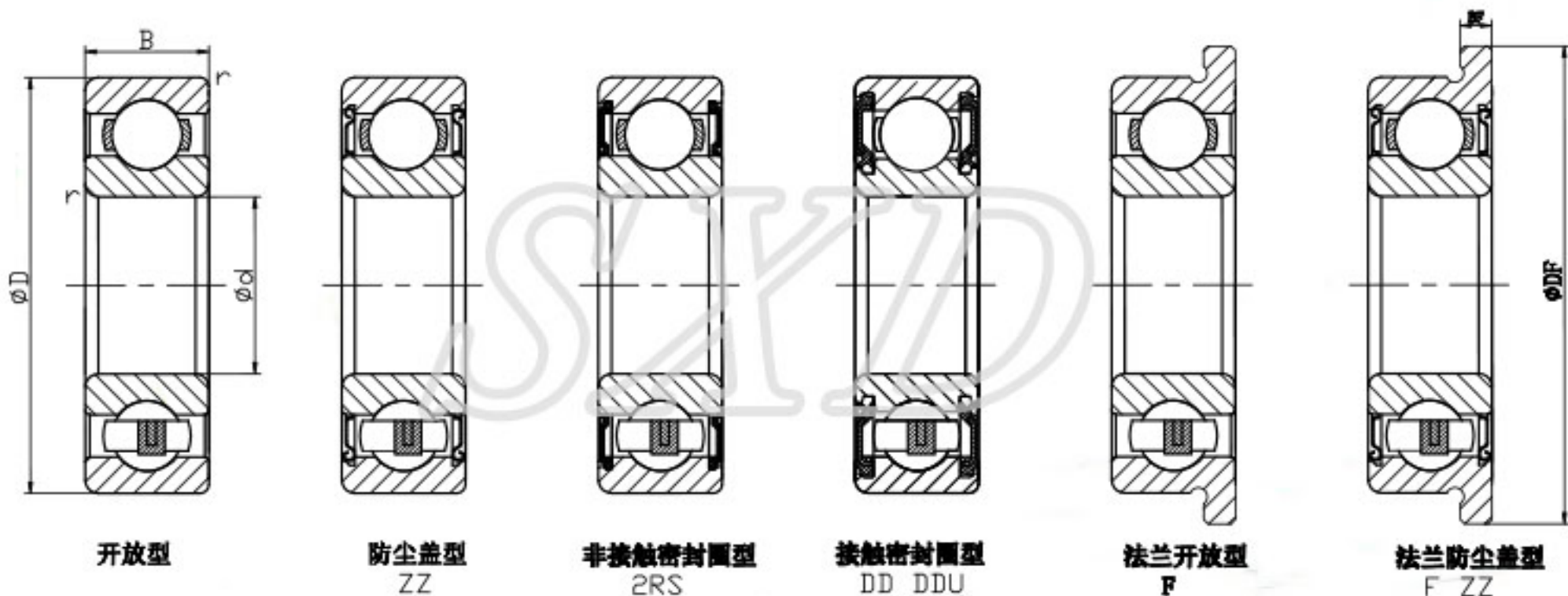


品牌 ( Logo )	SXD Bearing	类型 ( Type )	Deep Groove Bearing
后缀 ( Seal )	ZZ/2RS/2RU/TTS		
性能 ( Performance )	Low Noisy, high speed, long service life ( 低噪音、高转速、长寿命等特点 )		
材质 ( material )	Gcr15/Stainless Steel/Full Ceramic/Hybrid Ceramic ( 轴承钢、不锈钢、全陶瓷、混陶 )		



型号 Bearing Type	主要尺寸 (Bearings Size-MM)		
	内径 (d)	外径 (D)	宽度 (B)
> R156	4.762	7.938	3.175
> R166		9.525	3.175
> R3	6.35	12.7	4.978
> R168		9.525	3.175
> R188		12.7	4.762
> R4	7.938	15.88	4.978
> R181		12.7	3.967

品牌 ( Logo )	SXD Bearing	类型 ( Type )	Deep Groove Bearing
后缀 ( Seal )	ZZ/2RS/2RU/TTS		
性能 ( Performance )	Low Noisy, high speed, long service life ( 低噪音、高转速、长寿命等特点 )		
材质 ( material )	Gcr15/Stainless Steel/Full Ceramic/Hybrid Ceramic ( 轴承钢、不锈钢、全陶瓷、混陶 )		



型号 Bearing Type	主要尺寸 (Bearings Size-MM)		
	内径 (d)	外径 (D)	宽度 (B)
> 923	2.3	9	3
> 824		8	4
> 924	3.175	9	4
> 68/3.175		9	4
> R212		12	4
> 605-2X		13.5	5
> 605-1X		13.5	4



案例展示  
CASE SHOW - Foreign Main Customer



案例展示  
CASE SHOW - Domestic Main Customers



展望未来  
LOOKING TO THE FUTURE

进一步扩大市场领域，与国内外知名电机，汽车等企业达成合作。同时进入航空航天，军事等领域。  
Further expand the market, and the well-known domestic and foreign motors, automobile and other enterprises to achieve cooperation. At the same time into the aerospace, military and other fields.



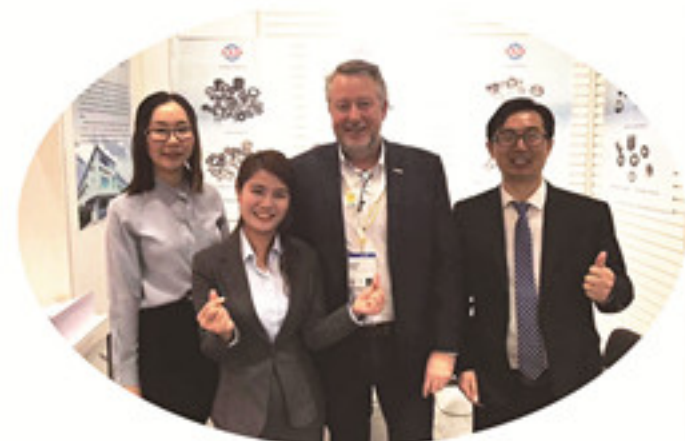
We have been working with Shanghai SXD Bearing Company for many years. The products and services they provide often surprise us. This is why we still maintain good partnerships so far.

They provide an excellent service & swift delivery, "pay more now, pay less later." after cooperating with Isa for years I know this.



Thanks for making my trip to China more enriching, and warm hospitality makes me feel at home and I really look forward to seeing you next time.

Meeting customers' needs and expectation is the only quality criteria of SXD. We will do our best to help our customer.



CONTACT 联系

86-21-58316822  
isa@sxd-bearing.com.cn  
www.sxd-bearing.com.cn  
www.sxd-bearing.com.cn